

tamforce[®]



BATTERY LEAF BLOWER 20V (TOOL ONLY)

Akkulehtipuhallin 20 V (runko)
Batteridriven lövblås
20 V (stomme)

1015 4753

EN User Manual
FIN Käyttöohje
SE Bruksanvisning



Read this user manual carefully before using the device and keep it in a safe place for future reference. /

Lue tämä käyttöohje huolellisesti ennen laitteen käyttöä ja säilytä se turvallisessa paikassa myöhempää käyttöä varten. /

Läs denna bruksanvisning noggrant innan du använder enheten och förvara den på en säker plats för framtida bruk

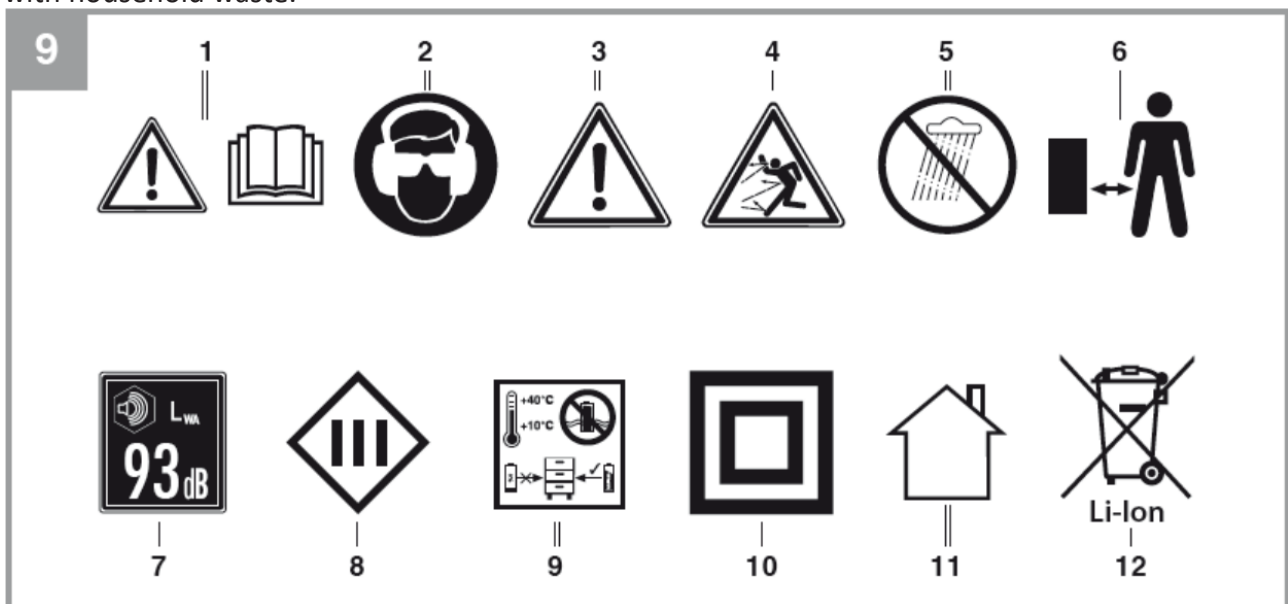
Danger!

Several safety precautions must be observed when using the device to avoid injury and damage. Read the complete operating instructions and safety regulations carefully.

Keep these operating instructions in a safe place so that the information is always available. If you transfer the device to another person, also hand over these operating instructions and safety regulations. We cannot accept liability for any damage or accidents resulting from failure to follow these operating instructions and safety regulations.

Explanation of Symbols Used (See Image)

1. Warning! Read the instructions before first use.
2. Use safety glasses and hearing protection.
3. Warning!
4. Beware of falling and flying objects!
5. Do not expose to rain or wet conditions.
6. Maintain a safe distance.
7. Guaranteed sound power level (L_{WA}) is 93 dB.
8. Safety Class III / Extra Low Voltage.
9. Store batteries only in dry areas at temperatures between +10 °C and +20 °C. Store only charged batteries.
10. Protection Class II (double insulated).
11. For use in dry locations only.
12. The battery must be removed from the tool before disposal. Batteries must not be disposed of with household waste.

**General Safety Instructions**

Danger!

Read all safety regulations and instructions.

Failure to observe the safety regulations and instructions may result in electric shock, fire and/or serious injury.

Keep all safety regulations and instructions in a safe place for future reference.

The term “power tool” used in the safety instructions refers to mains-operated power tools (corded) and battery-operated power tools (cordless).

1. Work Area Safety

Keep the work area tidy and well-lit. Untidy and unlit work areas can lead to accidents.

Do not operate power tools in explosive atmospheres, such as in the presence of flammable liquids, gases, or dust. Power tools create sparks which may ignite the dust or fumes.

Keep power tools out of the reach of children and other unauthorized persons. Distractions can cause the user to lose control of the equipment.

2. Electrical Safety

The plug on this power tool must match the outlet. Never modify the plug in any way. Do not use adapter plugs with grounded power tools. Unmodified plugs and matching outlets will reduce the risk of electric shock.

Avoid body contact with grounded surfaces such as pipes, radiators, ranges, and refrigerators. There is an increased risk of electric shock if your body is grounded.

Keep the tool away from rain and moisture. The ingress of water into a power tool increases the risk of electric shock.

Do not use the power cord for carrying, pulling, or unplugging the power tool. Keep the cord away from heat, oil, sharp edges, and moving parts. Damaged or entangled cords increase the risk of electric shock.

When operating a power tool outdoors, use only extension cords that are specifically designed for such use. Using a cord suitable for outdoor use reduces the risk of electric shock.

If operating a power tool in a damp location is unavoidable, use a residual current device (RCD). An RCD reduces the risk of electric shock.

3. Personal Safety

Stay alert, watch what you are doing, and use common sense when operating a power tool. Do not use a tool if you are tired or under the influence of drugs, alcohol, or medication. A moment of inattention while operating power tools may result in serious personal injury.

Use personal protective equipment. Always wear eye protection. The use of personal protective equipment such as dust masks, non-skid safety shoes, hard hats, or hearing protection will reduce the risk of personal injury.

Prevent unintentional starting. Ensure the power tool is switched off before connecting it to a power source and/or inserting the battery, or when carrying or transporting the tool. Carrying power tools with your finger on the switch or connecting a tool to power supply that is switched on can lead to accidents.

Remove any adjusting keys or wrenches before switching on the power tool. A tool or key that is left attached to a rotating part of the tool may result in personal injury.

Avoid abnormal body postures. Ensure you stand securely and keep your balance at all times. This enables better control of the power tool in unexpected situations.

Wear suitable work clothes. Do not wear loose clothing or jewelry. Keep your hair, clothing, and gloves away from moving parts. Loose clothes, jewelry, or long hair can be caught in moving parts. If dust extraction and collection facilities can be fitted, ensure they are connected and used correctly. The use of a dust collection system can reduce the hazards posed by dust.

4. Power Tool Use and Care

Do not overload the device. Use the correct power tool for your application. The correct power tool will do the job better and safer when used within its rated capacity.

Do not use a power tool if its switch is defective. A power tool that cannot be controlled with the switch is dangerous and must be repaired.

Disconnect the plug from the outlet and/or remove the battery before making any adjustments, changing accessories, or storing the tool. This preventive safety measure reduces the risk of starting the tool accidentally.

Store idle power tools out of the reach of children. Do not allow persons unfamiliar with the tool or these instructions to operate the tool. Power tools are dangerous in the hands of untrained users.

Maintain power tools with care. Check for misalignment or binding of moving parts, breakage of parts, and any other condition that may affect the power tool's operation. If damaged, have the power tool repaired before use. Many accidents are caused by poorly maintained power tools.

Keep cutting tools sharp and clean. Properly maintained cutting tools with sharp cutting edges are less likely to bind and are easier to control.

Ensure that power tools, accessories, attachments, etc., are used in accordance with these instructions. Take the working conditions and the work to be performed into account. Using power tools for applications different from those intended can lead to hazardous situations.

5. Battery Tool Use and Care

Use only the specified batteries in power tools. The use of other batteries may cause injuries and fire risk.

When not in use, keep batteries away from paper clips, coins, keys, nails, screws, or other small metal objects that can make a connection from one terminal to another. Shorting the battery terminals together may cause burns or a fire.

6. Service

Have your power tool serviced by a qualified repair person using only identical replacement parts. This will ensure that the safety of the power tool is maintained.

Other Safety Instructions

We place great emphasis on the design of each battery pack to ensure we supply you with batteries that provide maximum performance, durability, and safety. The battery cells have a wide range of safety devices.

Protection from Environmental Influences

Wear suitable work clothes. Wear safety goggles.

Protect the battery tool from moisture and rain. Moisture and rain can damage the device.

Do not use the battery tool in the vicinity of vapors and flammable liquids.

Use the battery tool only in dry conditions.

Storage of Cordless Tools

Store the battery tool only in a dry location with a temperature of 10-20 °C.

Cordless electrical appliances contain materials that are potentially harmful to the environment. Never dispose of cordless tools with household waste.

General Operating Instructions

Always walk when using the device. Never run.

Keep the air vents clean at all times.

Never direct the blower outlet at people or animals.

The machine should only be used during reasonable daytime hours, i.e., not early in the morning or late in the evening, when it may cause a nuisance to others. Times stipulated by local authorities must be observed.

Remove all foreign objects with a rake and brush before starting blowing work.

If conditions are dusty, dampen the surface slightly or use a sprinkler attachment.

Use the full-length blower nozzle extension so the airflow can work close to the ground.

Be aware of children, pets, open windows, etc., and blow foreign objects safely away from them.

Warning: This machine is not intended for use by children.

Warning: Risk of injury from rotating parts.

Warning: Never use this device near open windows.

1. Safety Regulations

Warning!

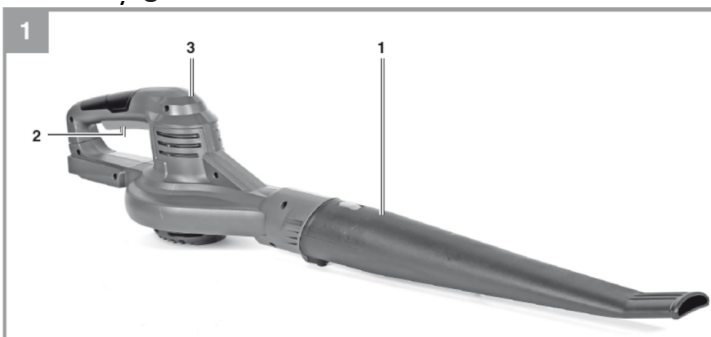
Read all safety information, instructions, illustrations, and technical data provided with or on this power tool. Failure to follow all instructions listed below may result in electric shock, fire, and/or serious injury.

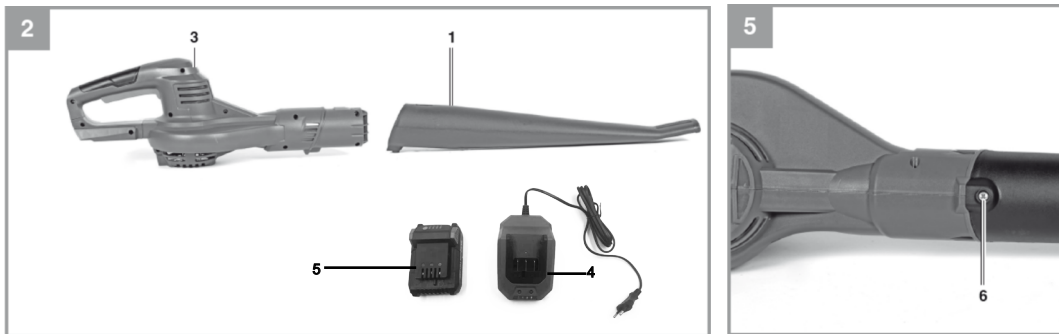
Keep all safety information and instructions in a safe place for future reference.

2. Component Location and Supplied Parts

2.1 Component Location (Fig. 1/2/5)

1. Blower Tube
2. On/Off Switch
3. Motor Unit
4. Charging Unit, not included in delivery
5. Battery, not included in delivery
6. Mounting Screw





2.2 Supplied Parts

Check that the device is complete as defined in the scope of delivery. If parts are missing, contact your dealer.

- Open the packaging and remove the device carefully.
- Remove packaging material and any packaging and/or transport fasteners (if present).
- Check that all parts have been supplied.
- Inspect the device and accessories for transport damage.
- Retain the packaging if possible until the end of the warranty period.

Danger!

Devices and packaging material are not toys. Do not let children play with plastic bags, films, or small parts. There is a risk of swallowing or suffocation!

- Supplied Parts List:
 - Motor Unit
 - Blower Tube
 - Mounting Screw
 - Battery (not included in delivery)
 - Battery Charger (not included in delivery)
 - Original Operating Instructions

3. Intended Use

The battery-powered leaf blower is designed solely for handling leaves and garden waste, such as grass and small twigs. Any other use is prohibited.

The device may only be used for its intended purpose. Any other use is considered improper. The user is liable for damages or injuries resulting from such misuse.

Note that the product is not designed for use in commercial or industrial applications. The warranty becomes void if the device is used in commercial or industrial businesses or for equivalent purposes.

4. Technical Data

No-load speed 13,000 min⁻¹
 Airflow speed 210 km/h
 Maximum run time..... approx. 14 min.
 Safety class: III

Weight:1.6 kg

Warning!

The device is supplied without batteries and a charger and may only be used with the recommended lithium-ion batteries.

Use only the recommended charger for charging.

Danger!

Noise and Vibration

Sound and vibration values were measured in accordance with ISO 22868.

Sound pressure level L_{pA}	73 dB(A)
Uncertainty K_{pA}	3 dB
Measured sound power level L_{WA}	90 dB(A)
Uncertainty K_{WA}	3 dB
Guaranteed sound power level L_{WA}	93 dB(A)

Wear hearing protection.

Noise can cause hearing damage.

The total vibration values (triaxial vector sum) have been determined in accordance with standard ISO 22867.

Vibration at the handle

Vibration emission value $a_h = 4.0 \text{ m/s}^2$.

Uncertainty $K = 2.0 \text{ m/s}^2$.

The vibration emission level stated has been measured in accordance with a standardized test method. It may change depending on how the tool is used and may exceed the stated value in exceptional circumstances.

The stated vibration emission level can be used for comparing tools.

The stated vibration emission level can also be used for a preliminary assessment of exposure.

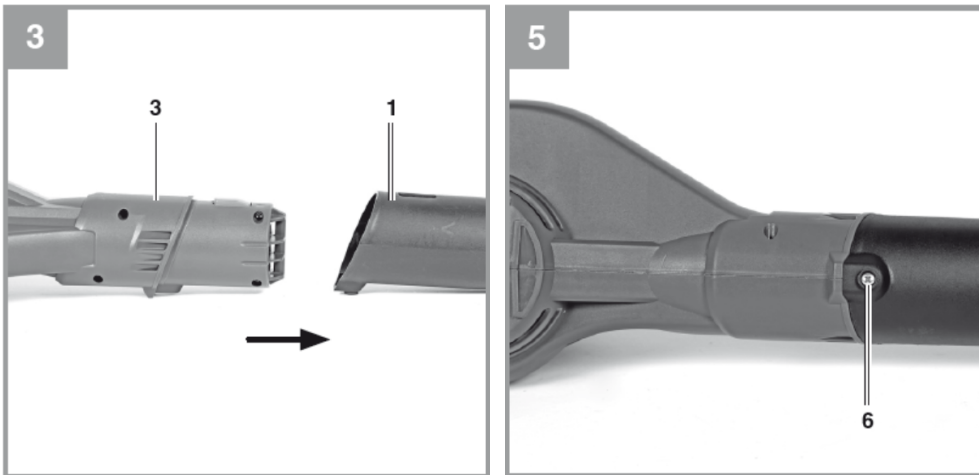
Keep noise emissions and vibration to a minimum.

- Use only devices that are in perfect working order.
- Service and clean the device regularly.
- Adapt your working style to suit the device.
- Do not overload the device.
- Have the device serviced if necessary.
- Switch the device off when it is not in use.
- Wear anti-vibration gloves.

5. Before Starting the Device

5.1 Installing the Blower Tube (Fig. 3-5)

Join the motor unit (Fig. 3/Item 3) and the blower tube (Fig. 3/Item 1) together. Then screw these two parts together as shown in Fig. 5 using the mounting screw (Fig. 5/Item 6).



5.2 Installing the Battery (Fig. 6/7)

Press the battery lock button as shown in Fig. 6 and push the battery into the mount. Once the battery is installed as shown in Fig. 7, ensure the lock button engages into place! To remove the battery, proceed in reverse order.



6. Operation

- Switch the device on by pressing and holding the On/Off switch (2).
- To switch the device off, release the On/Off switch.
- Direct the airflow forward and walk slowly to blow leaves or garden waste into a pile or to clean hard-to-reach places.

7. Cleaning and Maintenance

Danger!

Switch off the device and remove the battery before storage and cleaning.

7.1 Cleaning

- Keep all safety devices, air vents, and the motor housing as clean as possible. Wipe the device with a clean cloth or blow it clean with low-pressure compressed air.
- We recommend cleaning the device immediately after each use.
- Clean the device regularly with a damp cloth and a mild cleaning agent. Do not use strong cleaning agents or solvents, as they can damage the plastic parts of the device.

- Ensure that no water penetrates the device. The ingress of water into a power tool increases the risk of electric shock.

7.2 Maintenance

- If problems other than those mentioned above occur with the tool, allow only authorized professional personnel or a service center to perform the inspection.
- There are no other parts inside the device requiring maintenance.

8. Faults

Device does not operate:

Check that the battery is charged and that the charging unit is functioning. If the device still does not operate despite a proper power supply, take it to a service center.

9. Storage

Store the device and accessories out of the reach of children in a dark and dry place where the temperature does not drop below 0 °C. The ideal storage temperature is 5-30 °C.

Store the power tool in its original packaging.

10. Disposal and Recycling

The device is supplied in packaging to prevent it from being damaged during transportation. The raw materials of this packaging can be reused and recycled. The device and its accessories are made from different types of material, such as metal and plastic. Never dispose of defective devices with household waste. Devices must be taken to a suitable collection center for proper disposal. If you do not know the location of such a collection point, please contact your local authorities.



The device, rechargeable batteries, accessories, and packaging should be sorted for environmentally friendly recycling.

Do not dispose of power tools and batteries/batteries with household waste!



In accordance with Directive 2012/19/EU, power tools that are no longer usable, and in accordance with Directive 2006/66/EU, defective or used batteries/batteries must be collected separately and disposed of in an environmentally friendly manner.

INSTRUCTIONS AND INFORMATION FOR THE DISPOSAL OF USED PACKAGING MATERIALS

Recycle all packaging materials in accordance with local regulations.

DISPOSAL OF USED ELECTRICAL AND ELECTRONIC EQUIPMENT

This symbol on the product or in the accompanying documents means that used electrical or electronic products should not be disposed of with ordinary municipal waste. Deliver such products to designated collection points for proper treatment, recovery, and recycling. Alternatively, in some European Union countries or other European countries, you may be able to return your product to your local retailer when you buy a similar new one. By disposing of this product correctly, you will help save valuable natural resources and prevent any potential negative effects on the environment and human health, which could otherwise arise from inappropriate waste disposal. Contact your local authority for further details if necessary. Improper disposal of this type of waste may result in penalties in accordance with national regulations.



This product complies with all the basic requirements of the EU directives that apply to it.

Text, design, and technical specifications are subject to change without prior notice; we reserve the right to make changes.

Manufactured for:

Tamforce Group, Pakkalankuja 6, 01510 Vantaa Finland (asiakaspalvelu@puuilo.fi)

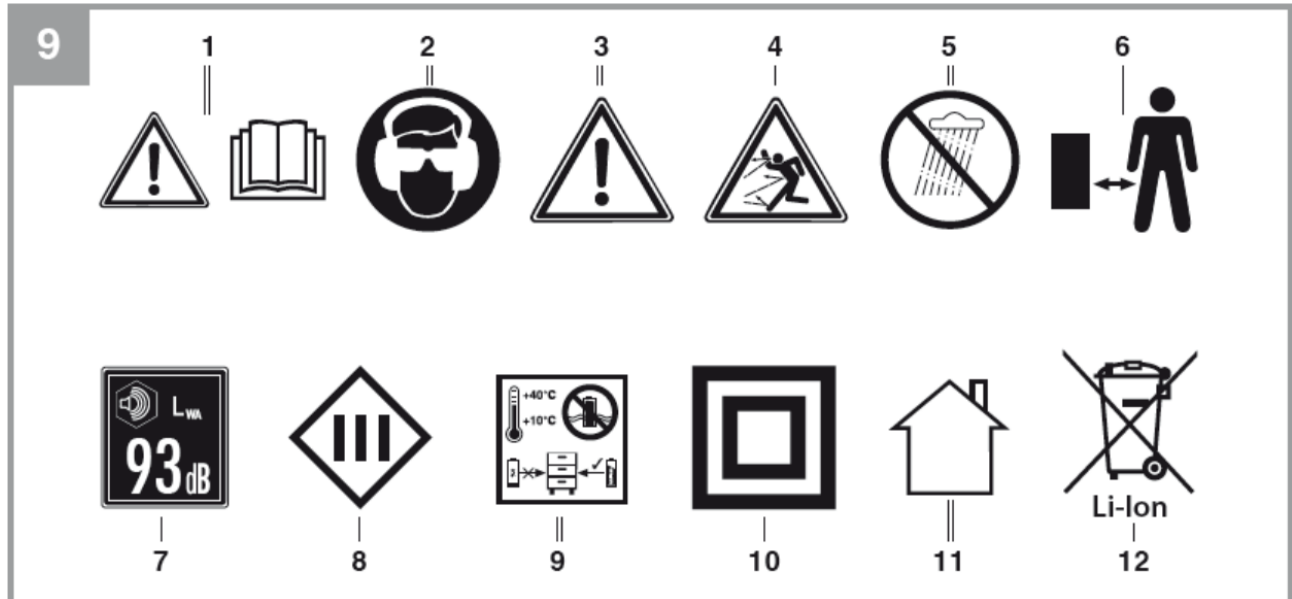
Vaara!

Laitetta käytettäessä on noudatettava muutamia turvatoimia loukkaantumisten ja vahinkojen välttämiseksi. Lue täydelliset käyttöohjeet ja turvallisuusmääräykset huolellisesti.

Säilytä tämä käyttöohje turvallisessa paikassa, jotta tiedot ovat aina saatavilla. Jos luovutat laitteen toiselle henkilölle, luovuta myös nämä käyttöohjeet ja turvallisuusmääräykset. Emme voi ottaa vastuuta vahingoista tai onnettomuuksista, jotka johtuvat näiden käyttöohjeiden ja turvallisuusmääräysten noudattamatta jättämisestä.

Käytettyjen kuvakkeiden selitys (ks. kuva)

1. Varoitus! Lue ohjeet ennen ensimmäistä käyttökertaa.
2. Käytä suojalaseja ja kuulosuojaimia.
3. Varoitus!
4. Varo putoavia ja sinkoutuvia esineitä!
5. Älä altista sateelle tai märille olosuhteille.
6. Säilytä turvaetäisyys.
7. Taattu äänitehotaso (L_{WA}) on 93 dB.
8. Turvallisuusluokka III/erittäin matala jännite.
9. Säilytä akkua vain kuivissa tiloissa, joiden lämpötila on välillä $+10\text{ °C}$ - 20 °C . Varastoi vain ladattuja akkuja.
10. Suojausluokka II (kaksoiseristetty).
11. Vain kuivissa paikoissa käytettäväksi.
12. Akut on poistettava työkalusta ennen hävittämistä. Akut eivät saa joutua kotitalousjätteeseen.

**Yleiset turvallisuusohjeet****Vaara!**

Lue kaikki turvallisuusmääräykset ja -ohjeet.

Turvamääräysten ja -ohjeiden noudattamisessa tehdyt virheet voivat aiheuttaa sähköiskun, tulipalon ja/tai vakavan loukkaantumisen.

Säilytä kaikki turvallisuusmääräykset ja -ohjeet turvallisessa paikassa tulevaa käyttöä varten.

Turvallisuusohjeissa käytetty termi "sähkötyökalu" viittaa sähkötyökaluihin, joita käytetään verkkovirralla (virtajohdolliset) ja akkukäyttöisiin sähkötyökaluihin (virtajohdottomat).

1. Työpaikan turvallisuus

Pidä työalue siistinä ja hyvin valaistuna. Epäsiistit ja valaisemattomat työalueet voivat aiheuttaa tapaturmia.

Älä käytä sähkötyökalua ympäristössä, jossa on räjähdysvaara tai jossa on syttyviä nesteitä, kaasuja tai pölyä. Sähkötyökalut tuottavat kipinöitä, jotka voivat sytyttää pölyn ja höyryt.

Pidä sähkötyökalu poissa lasten ja muiden sivullisten henkilöiden ulottuvilta. Jos käyttäjän huomio herpaantuu, hän voi menettää laitteen hallinnan.

2. Sähköturvallisuus

Tämän sähkötyökalun liitäntäpistokkeen on sovittava pistorasiaan. Pistoketta ei saa koskaan muuttaa millään tavalla. Älä koskaan käytä adaptereita yhdessä maadoitettujen sähkötyökalujen kanssa. Muokkaamattomat pistokkeet ja oikeat pistorasiat vähentävät sähköiskun vaaraa. Vältä kosketusta maadoitettuihin pintoihin, kuten putkiin, lämmittimiin, uuneihin ja jääkaappeihin. Sähköiskun vaara kasvaa, jos kehosi on maadoitettu.

Pidä työkalu loitolla sateelta ja kosteudelta. Veden pääsy sähkötyökaluun lisää sähköiskun riskiä.

Älä käytä virtajohtoa sähkötyökalun kantamiseen, ripustamiseen tai pistorasiasta irrottamiseen vetämällä. Pidä kaapeli kaukana kuumuudesta, öljystä, terävistä reunoista ja laitteen liikkuvista osista. Vaurioituneet tai kietoutuneet kaapelit lisäävät sähköiskun vaaraa.

Jos työskentelet ulkona sähkötyökalun kanssa, käytä vain jatkojohtoja, jotka on suunniteltu erityisesti tähän tarkoitukseen. Käyttämällä erityisesti ulkokäyttöön suunniteltuja jatkojohtoja sähköiskun vaara pienenee.

Jos sähkötyökalun käyttöä kosteassa ympäristössä ei voida välttää, käytä vikavirtasuojakytkintä. Vikavirtasuojakytkin vähentää sähköiskun riskiä.

3. Henkilöturvallisuus

Ole varovainen, katso mitä teet ja käytä sähkötyökalua järkevästi. Älä käytä työkalua, jos olet väsynyt tai huumeiden, alkoholin tai lääkkeiden vaikutuksen alaisena. Hetkellinen tarkkaamattomuus sähkötyökalua käytettäessä voi aiheuttaa vakavia vammoja.

Käytä henkilökohtaisia suojarusteita ja käytä aina suojalaseja. Henkilökohtaisten suojarusteiden (kuten hengityssuojaimen, turvakenkien, suojakypärän tai kuulosuojainten) käyttäminen vähentää loukkaantumiseriskiä.

Varmista, ettei laite voi käynnistyä vahingossa. Varmista, että sähkötyökalu on kytketty pois päältä, ennen kuin kytket sen virtalähteeseen ja/tai asetat akun paikalleen tai nostat tai kannat työkalua. Jos sormi on kytkimellä sähkötyökalua kannettaessa tai jos kytket laitteen verkkovirtaan, kun se on kytketty päälle, tämä voi johtaa tapaturmiin.

Poista avaimet ja jakoavaimet ennen sähkötyökalun kytkemistä päälle. Työkalu tai avain, joka joutuu kosketuksiin laitteen pyöriivien osien kanssa, voi aiheuttaa vammoja.

Vältä epänormaaleja työasentoja. Varmista, että seisot tukevasti ja säilytät tasapainosi koko ajan. Näin voit hallita sähkötyökalua paremmin odottamattomissa tilanteissa.

Käytä sopivia työvaatteita. Älä käytä löysiä vaatteita tai koruja. Pidä hiukset, vaatteet ja käsineet kaukana liikkuvista osista. Löysät vaatteet, korut tai pitkät hiukset voivat jäädä kiinni liikkuviin osiin.

Jos laitteeseen voidaan asentaa pölynpoistolaitteistoa, varmista, että ne on kiinnitetty oikein ja että niitä käytetään oikein. Pölynpoistojärjestelmän käyttö voi vähentää pölyn aiheuttamaa vaaraa.

4. Sähkötyökalun käyttö ja käsittely

Älä ylikuormita laitetta. Käytä työhön sopivaa työkalua. Voit työskennellä paremmin ja turvallisemmin annettujen suoritusrajojen puitteissa.

Älä käytä sähkötyökalua, jonka kytkin on viallinen. Sähkötyökalu, jota ei voi kytkeä päälle tai pois päältä virtakytkimellä on vaarallinen ja on korjattava.

Vedä pistoke pistorasiasta ja/tai irrota akku ennen kuin teet laitteeseen säätöjä, vaihdat lisävarusteita tai lasket laitteen käsistäsi. Tämä turvatoimenpide estää sähkötyökalun tahattoman käynnistämisen.

Pidä käyttämättömät sähkötyökalut poissa lasten ulottuvilta. Älä anna sellaisten henkilöiden käyttää laitetta, jotka eivät tunne laitetta tai jotka eivät ole lukeneet näitä ohjeita. Sähkötyökalut ovat vaarallisia, jos niitä käyttävät kokemattomat henkilöt.

Puhdista sähkötyökalu huolellisesti. Tarkista, että liikkuvat osat toimivat kunnolla eivätkä jumiudu, että osat eivät ole rikkoutuneet tai vaurioituneet niin paljon, että tämän sähkötyökalun toiminta häiriintyy. Korjauta vaurioituneet osat ennen laitteen käyttöä. Monet onnettomuudet johtuvat huonosti huolletuista sähkötyökaluista.

Pidä leikkuutyökalut terävinä ja puhtaina. Huolellisesti huolletut leikkuutyökalut, joissa on terävät leikkuureunat, jumiutuvat harvemmin ja niitä on helpompi hallita.

Varmista, että sähkötyökaluja, lisävarusteita, lisälaitteita jne. käytetään näiden ohjeiden mukaisesti. Ota huomioon työalueesi olosuhteet ja työtehtäväsi. Sähkötyökalujen käyttäminen muuhun kuin siihen tarkoitukseen, johon ne on tarkoitettu, voi johtaa vaaratilanteisiin.

5. Akkutyökalun käyttö ja käsittely

Käytä sähkötyökaluissa vain oikeanlaisia akkuja. Muiden akkujen käyttö voi aiheuttaa loukkaantumisia ja palovaaran.

Pidä käyttämättömät akut kaukana paperiliittimistä, kolikoista, avaimista, nauloista, ruuveista ja muista metalliesineistä, jotka voivat aiheuttaa oikosulun koskettimien välille. Oikosulku akun koskettimien välillä voi aiheuttaa palovammoja tai tulipalon.

6. Huolto

Anna sähkötyökalun korjaus vain koulutetun henkilökunnan tehtäväksi käyttäen alkuperäisiä varaosia. Näin varmistetaan, että sähkötyökalusi pysyy turvallisena käyttäessä.

Muita turvallisuusohjeita

Kiinnitämme paljon huomiota jokaisen akkupaketin suunnitteluun varmistaaksemme, että toimitamme sinulle akkuja, joissa on maksimaalinen teho, kestävyys ja turvallisuus. Akkukennoissa on laaja valikoima turvalaitteita.

Suojaaminen ympäristön vaikutuksilta

Käytä sopivia työvaatteita. Käytä suojalaseja.

Suojaa akkutyökalu kosteudelta ja sateelta. Kosteus ja sade voivat vaurioittaa laitetta.

Älä käytä akkutyökalua höyryjen ja syttyvien nesteiden lähellä.

Käytä akkutyökalua vain kuivissa olosuhteissa.

Johdottomien työkalujen varastointi

Säilytä akkutyökalua vain kuivassa paikassa, jonka lämpötila on 10-20 °C.

Johdottomat sähkölaitteet sisältävät materiaaleja, jotka ovat mahdollisesti haitallisia ympäristölle. Älä koskaan laita johdottomia työkaluja kotitalousjätteen joukkoon.

Yleisohjeita

Kulje laitetta käytettäessä aina kävellen. Älä koskaan juokse.

Pidä ilmanvaihtoaukot aina puhtaana.

Älä koskaan suuntaa puhallusaukkoa ihmisiin tai eläimiin.

Konetta saa käyttää vain kohtuullisena vuorokaudenaikana, eli ei aikaisin aamulla tai myöhään illalla, jolloin siitä on haittaa muille ihmisille. Paikallisten viranomaisten määäämiä aikoja on noudatettava.

Poista kaikki vieraat esineet haravalla ja harjalla ennen puhallustyön aloittamista.

Jos olosuhteet ovat pölyiset, kostuta pintaa hieman tai käytä sadetinlisälaitetta.

Käytä täyspitkää puhaltimen suuttimen jatkopäätä, jotta ilmavirta voi työskennellä lähellä maata. Varo lapsia, lemmikkieläimiä, avoimia ikkunoita jne. ja puhalla vierasesineet turvallisesti pois päin heistä.

Varoitus: Tätä konetta ei ole suunniteltu lasten käyttöön.

Varoitus: Pyörievien osien aiheuttama loukkaantumisvaara.

Varoitus: Älä koskaan käytä tätä laitetta avoimien ikkunoiden lähellä.

1. Turvallisuusmääräykset

Varoitus!

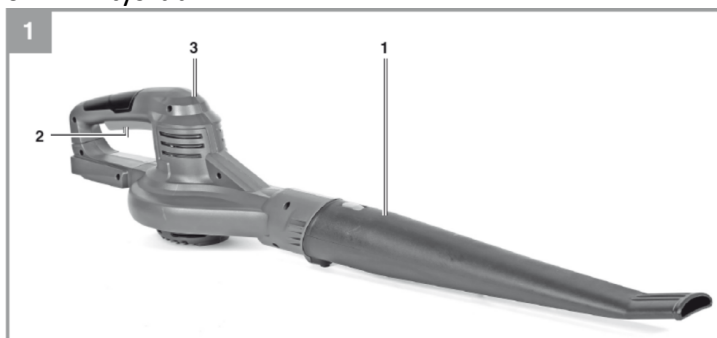
Lue kaikki turvallisuustiedot, ohjeet, kuvat ja tekniset tiedot, jotka on annettu tässä sähkötyökalussa tai sen mukana. Seuraavien ohjeiden noudattamatta jättäminen voi aiheuttaa sähköiskun, tulipalon ja/tai vakavan loukkaantumisen.

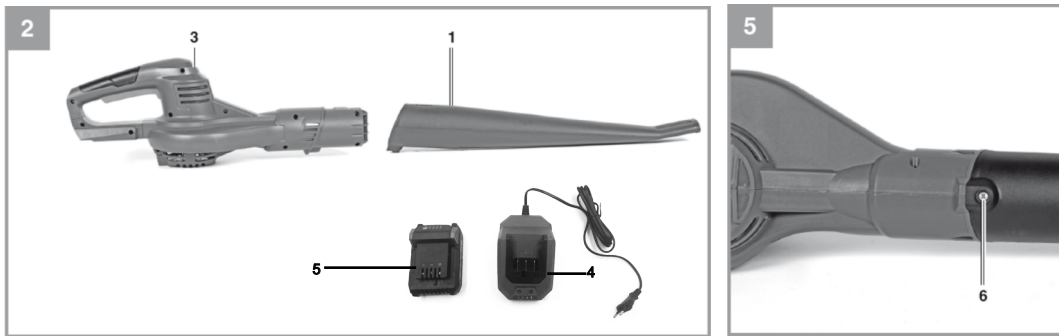
Säilytä kaikki turvallisuustiedot ja ohjeet turvallisessa paikassa tulevaa käyttöä varten.

2. Osien sijainti ja toimitettavat osat

2.1 Osien sijainti (Kuva 1/2/5)

1. Puhallusputki
2. On/Off-kytkin
3. Moottoriyksikkö
4. Latausyksikkö, ei sisälly toimitukseen
5. Akku, ei sisälly toimitukseen
6. Kiinnitysruuvi





2.2 Toimitettavat osat

Tarkista, että laite on täydellinen, kuten toimituksen laajuudessa on määritelty. Jos osia puuttuu, ota yhteys jälleenmyyjäsi.

- Avaa pakkaus ja ota laite ulos varovasti.
- Poista pakkausmateriaali ja mahdolliset pakkaus- ja/tai kuljetuskiinnikkeet (jos niitä on).
- Tarkista, että kaikki osat on toimitettu.
- Tarkasta laite ja lisävarusteet kuljetusvaurioiden varalta.
- Säilytä pakkaus mahdollisuuksien mukaan takuuajan loppuun asti.

Vaara!

Laitteet ja pakkausmateriaali eivät ole leluja. Älä anna lasten leikkiä muovipusseilla, kalvoilla tai pienillä osilla. On olemassa nielemis- tai tukehtumisvaara!

- Moottoriyksikkö
- Puhallusputki
- Kiinnitysruuvi
- Akku (ei sisälly toimitukseen)
- Akkulaturi (ei sisälly toimitukseen)
- Alkuperäinen käyttöohje

3. Asianmukainen käyttö

Akkukäyttöinen lehtipuhallin on suunniteltu käsittelemään vain lehtiä ja puutarhajätteitä, kuten ruohoa ja pieniä oksia. Kaikki muu käyttö on kielletty.

Laitetta saa käyttää vain sille määrättyyn tarkoitukseen. Kaikki muu käyttö katsotaan väärinkäytöksi. Käyttäjä on vastuussa tällaisesta väärinkäytöstä johtuvista vahingoista tai vammoista.

Huomaa, että tuotetta ei ole suunniteltu käytettäväksi kaupallisissa tai teollisissa sovelluksissa. Takuu raukeaa, jos laitetta käytetään kaupallisissa tai teollisissa yrityksissä tai vastaaviin tarkoituksiin.

4. Tekniset tiedot

Tyhjäkäyntinopeus13,000 min⁻¹
 Ilmavirran nopeus210 km/h
 Maksimikäyntiaika noin 14 min.
 Turvallisuusluokka:III

Paino:1,6 kg

Varoitus!

Laitte toimitetaan ilman akkuja ja laturia, ja sitä saa käyttää vain suositeltujen litium-ioniakkujen kanssa.

Käytä lataamiseen vain suositeltua laturia.

Vaara!

Melu ja värinä

Ääni- ja värinäarvot on mitattu ISO 22868 -standardin mukaisesti.

Äänenpainetaso L_{pA} 73 dB(A)

Epävarmuus K_{pA} 3 dB

Mitattu äänitehotaso L_{WA} 90 dB(A)

Epävarmuus K_{WA} 3 dB

Taattu äänitehotaso L_{WA} 93 dB(A)

Käytä kuulosuojaimia.

Melun voi vahingoittaa kuuloa.

Värinän kokonaisarvot (kolmiakselinen vektorisumma) on määritetty standardin ISO 22867 mukaisesti.

Kahvaan kohdistunut värinä

Värinäpäästöarvo $a_h = 4,0 \text{ m/s}^2$.

Epävarmuus $K = 2,0 \text{ m/s}^2$.

Värinäarvo on määritelty standardoidun testausmenetelmän mukaisesti. Se voi muuttua laitteen käyttötavan mukaan ja voi ylittää määritellyn arvon poikkeustilanteissa.

Ilmoitettua värinäarvoa voidaan käyttää laitteiden keskinäiseen vertailemiseen.

Ilmoitettua värinäarvoa voidaan käyttää haitallisen vaikutuksen alustavaan arviointiin.

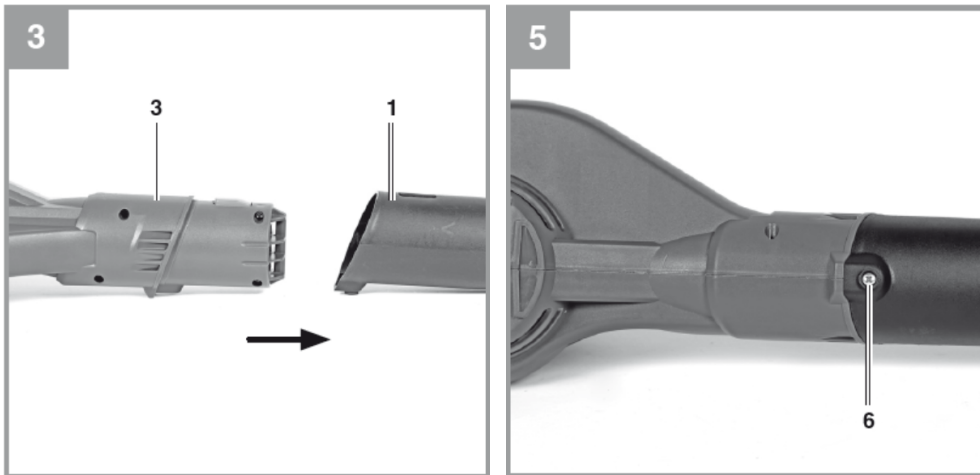
Pidä melupäästöt ja värinä mahdollisimman vähäisinä.

- Käytä vain täysin toimintakuntoisia laitteita.
- Huolla ja puhdista laite säännöllisesti.
- Mukauta työskentelytyylisi laitteeseen sopivaksi.
- Älä ylikuormita laitetta.
- Huollata laite tarvittaessa.
- Sammuta laite, kun sitä ei käytetä.
- Käytä suojakäsineitä.

5. Ennen laitteen käynnistämistä

5.1 Puhallusputken asentaminen (kuva 3-5)

Liitä yhteen moottoriyksikkö (kuva 3/kohta 3) ja puhallusputki (kuva 3/kohta 1). Ruuvaa sitten nämä kaksi osaa yhteen kuvan 5 osoittamalla tavalla käyttäen kiinnitysruuvia (kuva 5/kohta 6).



5.2 Akun asentaminen (kuva 6/7)

Paina akun lukituspainiketta kuvan 6 mukaisesti ja työnnä akku kiinnikkeeseen. Kun akku on asennettu kuvan 7 mukaisesti, varmista, että lukituspainike lukittuu paikalleen! Jos haluat irrottaa akun, toimi päinvastaisessa järjestyksessä.



6. Käyttö

- Kytke laite päälle painamalla On/Off-kytkintä (2) ja pitämällä sitä painettuna.
- Sammuttaaksesi laitteen, vapauta On/Off-kytkin.
- Ohjaa ilmavirta eteenpäin ja kävele hitaasti puhaltaaksesi lehdet tai puutarhajätteet kasaan tai puhdistaa vaikeasti saavutettavat paikat.

7. Puhdistus ja huolto

Vaara!

Sammuta laite ja irrota akku ennen varastointia ja puhdistamista.

7.1 Puhdistus

- Pidä kaikki turvalaitteet, tuuletusaukot ja moottorin kotelo mahdollisimman puhtaina. Pyyhi laite puhtaalla liinalla tai puhalla se matalapaineisella paineilmalla.
- Suosittelemme, että puhdistat laitteen välittömästi aina, kun olet lopettanut sen käytön.
- Puhdista laite säännöllisesti kostealla liinalla ja miedolla puhdistusaineella. Älä käytä voimakkaita puhdistusaineita tai liuottimia, ne voivat vahingoittaa laitteen muoviosia.

- Varmista, ettei laitteeseen pääse vettä. Veden pääsy sähkötyökaluun lisää sähköiskun vaaraa.

7.2 Huolto

- Jos työkalussa ilmenee muita kuin edellä mainittuja ongelmia, anna vain valtuutetun ammattilaisen tai huoltoliikkeen suorittaa tarkastus.
- Laitteen sisällä ei ole muita huoltoa vaativia osia.

8. Viat

Laite ei toimi:

Tarkista, että akku on ladattu ja että latausyksikkö toimii. Jos laite ei toimi siitä huolimatta, että jännitteensyöttö on kunnossa, vie se huoltoon.

9. Varastointi

Varastoi laite ja lisävarusteet lasten ulottumattomissa pimeässä ja kuivassa paikassa, jonka lämpötila ei laske alle 0 °C. Ihanteellinen säilytyslämpötila on 5-30 °C. Säilytä sähkötyökalu alkuperäispakkauksessaan.

10. Hävittäminen ja kierrätys

Laite toimitetaan pakkauksessa, jotta se ei vahingoitu kuljetuksen aikana. Tämän pakkauksen raaka-aineet voidaan käyttää uudelleen ja kierrättää. Laite ja sen lisävarusteet ovat valmistettu erityyppisistä materiaaleista, kuten metallista ja muovista. Älä koskaan laita viallisia laitteita kotitalousjätteen sekaan. Laitteet on vietävä asianmukaista hävittämistä varten sopivaan keräyskeskukseen. Jos et tiedä tällaisen keräyspisteen sijaintia, kysy asiaa paikallisviranomaisilta.



Laite, ladattavat akut, lisävarusteet ja pakkaukset on lajiteltava ympäristöystävällistä kierrätystä varten.

Älä hävitä sähkötyökaluja ja akkuja/paristoja kotitalousjätteen seassa!



Direktiivin 2012/19/EU mukaan sähkötyökalut, jotka eivät ole enää käyttökelpoisia, ja direktiivin 2006/66/EU mukaan vialliset tai käytetyt akut/paristot on kerättävä erikseen ja hävitettävä ympäristöä säästävällä tavalla.

OHJEET JA TIEDOT KÄYTETTYJEN PAKKAUSMATERIAALIEN HÄVITTÄMISESTÄ

Kierrätä kaikki pakkausmateriaali paikallisten säädösten mukaisesti.

KÄYTETTYJEN SÄHKÖ- JA ELEKTRONIIKKALAITTEIDEN HÄVITTÄMINEN

Tämä symboli tuotteissa tai mukana seuraavissa asiakirjoissa tarkoittaa, että käytettyjä sähkö- tai elektroniikkatuotteita ei saa laittaa tavalliseen yhdyskuntajätteeseen.

Toimita tällaiset tuotteet määrättyihin keräyspisteisiin asianmukaista hävittämistä, kunnostamista ja kierrätystä varten. Vaihtoehtoisesti joissakin Euroopan unionin maissa tai muissa Euroopan maissa voit palauttaa tuotteesi paikalliselle jälleenmyyjälle ostaessasi vastaavan uuden tuotteen. Hävittämällä tämän tuotteen tunnollisesti

säästät arvokkaita luonnonvaroja ja autat ehkäisemään mahdollisia haitallisia vaikutuksia ympäristöön ja ihmisten terveyteen, jotka voivat olla seurausta väärästä jätteiden hävittämisestä. Lisätietoja saat tarvittaessa paikallisviranomaisilta. Tämän jätelajin vääränlaisesta hävittämisestä voidaan määrätä seuraamuksia kansallisten säännösten mukaisesti.



Tämä tuote täyttää kaikki sitä koskevien EU-direktiivien perusvaatimukset.

Teksti, muotoilu ja tekniset tiedot voivat muuttua ilman ennakoilmoitusta, pidätämme oikeuden muutoksiin.

Valmistuttaja:

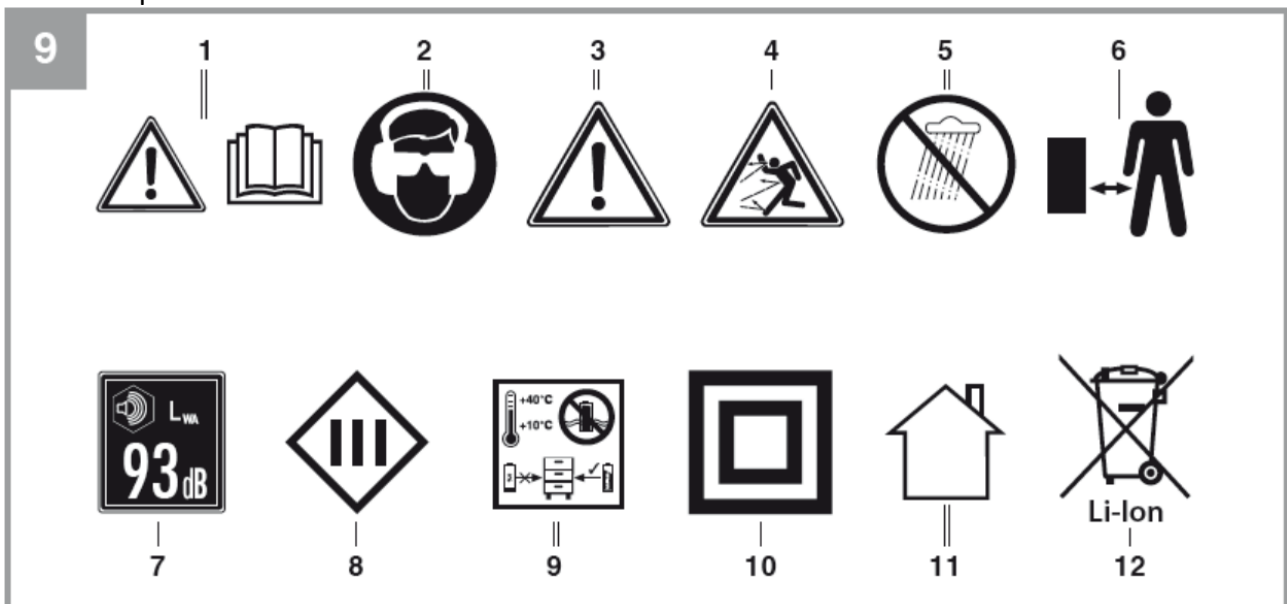
Tamforce Group, Pakkalankuja 6, 01510 Vantaa Finland (asiakaspalvelu@puuilo.fi)

Varning!

När du använder enheten måste du vidta vissa säkerhetsåtgärder för att undvika personskador och olyckor. Läs igenom hela bruksanvisningen och säkerhetsföreskrifterna noggrant. Förvara bruksanvisningen på en säker plats så att du alltid har tillgång till informationen. Om du lämnar över apparaten till en annan person ska du också lämna över denna bruksanvisning och säkerhetsanvisningar. Vi kan inte ta något ansvar för skador eller olyckor som beror på att dessa anvisningar och säkerhetsföreskrifter inte har följts.

Förklaring av de symboler som används (se bild)

1. Läs igenom bruksanvisningen innan du använder apparaten för första gången.
2. Använd skyddsglasögon och hörselskydd.
3. Varning!
4. Se upp för fallande och utslungade föremål!
5. Utsätt inte apparaten för regn eller fukt.
6. Håll ett säkert avstånd.
7. Den garanterade ljudeffektnivån (L_{WA}) är 93 dB.
8. Säkerhetsklass III/extremt låg spänning.
9. Förvara batteriet endast i torra utrymmen i en temperatur mellan +10 °C och +20 °C. Lagra endast laddade batterier.
10. Skyddsklass II (dubbelisolerad).
11. Får endast användas på torra platser.
12. Batterierna måste avlägsnas från verktyget innan de kasseras. Batterier får inte slängas i hushållssoporna.

**Allmänna säkerhetsanvisningar**

Fara!

Läs alla säkerhetsföreskrifter och instruktioner.

Underlåtenhet att följa säkerhetsregler och instruktioner kan leda till elektriska stötar, brand och/eller allvarliga personskador.

Förvara alla säkerhetsföreskrifter och instruktioner på en säker plats för framtida bruk.

Begreppet "elverktyg" som används i säkerhetsanvisningarna avser nätdrivna (med sladd) och batteridrivna (sladdlösa) elverktyg.

1. Säkerhet på arbetsplatsen

Håll arbetsområdet rent och väl upplyst. Ostädiga och obelysta arbetsområden kan orsaka olyckor. Använd inte elverktyget i en miljö där det finns risk för explosion eller där det finns brandfarliga vätskor, gaser eller damm. Elverktyg avger gnistor som kan antända damm och ångor. Förvara elverktyget utom räckhåll för barn och andra personer som befinner sig i närheten. Om användaren blir distraherad kan hen förlora kontrollen över utrustningen.

2. Elektrisk säkerhet

Elverktygets stickkontakt måste vara kompatibel med eluttaget. Kontakten får aldrig modifieras på något sätt. Använd aldrig adaptrar i kombination med jordade elverktyg. Omodifierade stickproppar och korrekta uttag minskar risken för elektriska stötar.

Undvik kontakt med jordade ytor som rör, värmeelement, ugnar och kylskåp. Risken för elektriska stötar ökar om din kropp är jordad.

Håll verktyget borta från regn och fukt. Vatten som tränger in i verktyget ökar risken för elektriska stötar.

Använd inte sladden för att bära, hänga upp eller koppla ur ett elverktyg genom att dra i den. Håll sladden borta från värme, olja, vassa kanter och rörliga delar. Skadade eller trassliga kablar ökar risken för elektriska stötar.

Om du arbetar utomhus med ett elverktyg ska du endast använda förlängningsladdar som är särskilt avsedda för detta ändamål. Om du använder förlängningsladdar som är särskilt avsedda för utomhusbruk minskar risken för elektriska stötar.

Om det inte går att undvika att använda elverktyget i fuktig miljö ska du använda en jordfelsbrytare. En jordfelsbrytare minskar risken för elektriska stötar.

3. Personlig säkerhet

Var försiktig, se upp med vad du gör och använd elverktyget på ett förnuftigt sätt. Använd inte verktyget om du är trött eller påverkad av droger, alkohol eller mediciner. Kortvarig ouppmärksamhet vid användning av elverktyget kan orsaka allvarliga skador.

Använd personlig skyddsutrustning och alltid skyddsglasögon. Användning av personlig skyddsutrustning (t.ex. andningsskydd, skyddsskor, hjälm eller hörselskydd) minskar risken för skador.

Se till att apparaten inte kan starta oavsiktligt. Se till att elverktyget är avstängt innan du ansluter det till elnätet och/eller sätter i batteriet eller lyfter eller bär verktyget. Om du har fingret på strömbrytaren när du bär elverktyget eller om du ansluter elverktyget till elnätet när det är påslaget kan detta leda till olyckor.

Ta bort nycklar och skiftnycklar innan du slår på elverktyget. Verktyg eller nycklar som kommer i kontakt med utrustningens roterande delar kan orsaka personskador.

Undvik onormala arbetsställningar. Se till att du står stadigt och håller balansen hela tiden. Detta ger dig bättre kontroll över elverktyget i oväntade situationer.

Använd lämpliga arbetskläder. Bär inte lösa kläder eller smycken. Håll hår, kläder och handskar borta från rörliga delar. Lösa kläder, smycken eller långt hår kan fastna i rörliga delar.

Om dammutsug kan monteras, se till att det monteras och används på rätt sätt. Användning av ett dammutsugssystem kan minska risken för dammbildning.

4. Användning och hantering av elverktyg

Överbelasta inte enheten. Använd rätt verktyg för uppgiften. Du kan arbeta bättre och säkrare inom de angivna prestandagränserna.

Använd inte ett elverktyg med defekt strömbrytare. Ett elverktyg som inte kan slås på eller av med strömbrytaren är farligt och måste repareras.

Koppla ur apparaten och/eller batteriet innan du gör några justeringar, byter tillbehör eller ställer apparaten ifrån dig. Denna säkerhetsåtgärd förhindrar att elverktyget startas oavsiktligt.

Förvara oanvända elverktyg utom räckhåll för barn. Låt inte personer som inte är förtrogna med apparaten eller som inte har läst denna bruksanvisning använda den. Elverktyg är farliga om de används av oerfarna personer.

Rengör elverktyget noggrant. Kontrollera att de rörliga delarna fungerar korrekt och inte kärvar, att de inte är trasiga eller skadade i sådan utsträckning att elverktygets funktion påverkas.

Reparera alla skadade delar innan du använder verktyget. Många olyckor orsakas av dåligt underhållna elverktyg.

Håll skärverktygen vassa och rena. Väl underhållna skärverktyg med vassa skäreggar löper mindre risk att fastna och är lättare att kontrollera.

Se till att elverktyg, tillbehör etc. används i enlighet med dessa anvisningar. Ta hänsyn till förhållandena i ditt arbetsområde och ditt jobb. Användning av elverktyg för andra ändamål än de som de är avsedda för kan leda till farliga situationer.

5. Användning och hantering av batteriverktyget

Använd endast rätt batterier för dina elverktyg. Användning av andra batterier kan orsaka skador och brand.

Håll oanvända batterier borta från gem, mynt, nycklar, spikar, skruvar och andra metallföremål som kan kortsluta kontakterna. En kortslutning mellan batterikontakterna kan orsaka brännskador eller brand.

6. Underhåll

Låt endast utbildad personal reparera elverktyget med originalreservdelar. Detta säkerställer att elverktyget förblir säkert att använda.

Andra säkerhetsråd

Vi lägger stor vikt vid utformningen av varje batteripaket för att säkerställa att vi levererar batterier med maximal kraft, hållbarhet och säkerhet. Våra battericeller har ett brett utbud av säkerhetsfunktioner.

Skydd mot miljöpåverkan

Använd lämpliga arbetskläder. Använd skyddsglasögon.

Skydda batteriverktyget mot fukt och regn. Fukt och regn kan skada apparaten.

Använd inte batteriverktyget i närheten av ångor eller brandfarliga vätskor.

Använd batteriverktyget endast i torra utrymmen.

Förvaring av sladdlösa verktyg

Förvara batteriverktyget på en torr plats med en temperatur på 10-20 °C.

Sladdlös elektrisk utrustning innehåller material som kan vara skadliga för miljön. Släng aldrig sladdlösa verktyg i hushållssoporna.

Allmänna råd

Gå alltid när du använder enheten. Spring aldrig.

Håll alltid ventilationsöppningarna rena.

Rikta aldrig munstycket mot människor eller djur.

Maskinen får endast användas under rimliga tider på dygnet, dvs. inte tidigt på morgonen eller sent på kvällen då det är skadligt för andra människor. De tider som fastställts av lokala myndigheter måste respekteras.

Avlägsna alla främmande föremål med kratta och borste innan blåsningen påbörjas.

Om förhållandena är dammiga, fukta ytan något eller använd en sprinklertillsats.

Använd en förlängning av fläktmunstycket i full längd så att luftflödet kan arbeta nära marken.

Se upp för barn, husdjur, öppna fönster etc. och blås bort främmande föremål på ett säkert sätt.

Varning: denna maskin är inte avsedd att användas av barn.

WARNING: Risk för skador från roterande delar.

WARNING: Använd aldrig denna enhet i närheten av öppna fönster.

1. Säkerhetsföreskrifter

Varning!

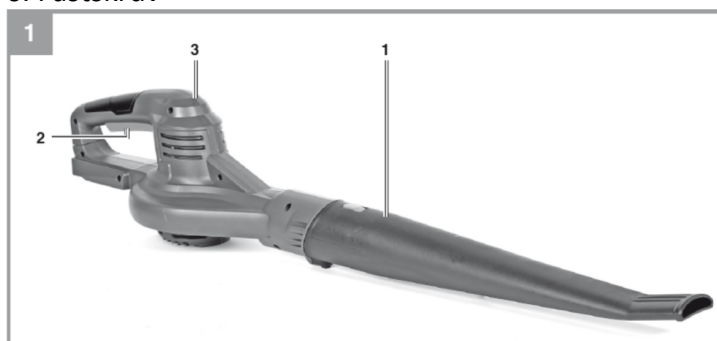
Läs all säkerhetsinformation, alla instruktioner, illustrationer och tekniska data som medföljer eller finns på detta elverktyg. Om följande anvisningar inte följs kan det leda till elektriska stötar, brand och/eller allvarliga personskador.

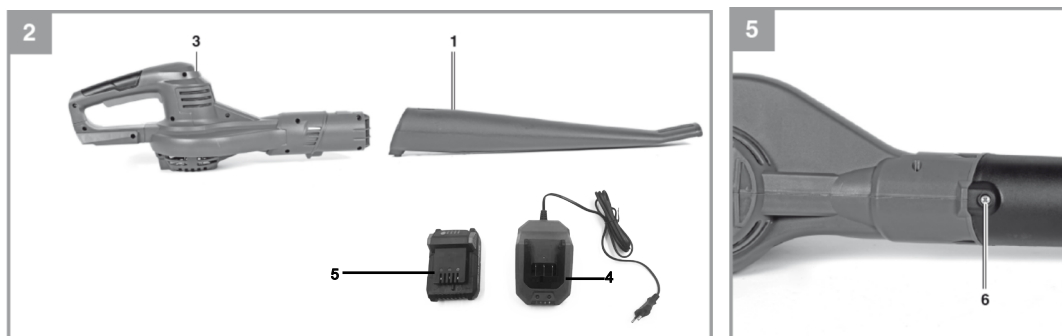
Förvara all säkerhetsinformation och alla instruktioner på en säker plats för framtida bruk.

2. Delar och leveransomfattning

2.1 Delarnas läge (bild 1/2/5)

1. Blåsrör
2. On/Off-brytare
3. Motorenhet
4. Laddningsenhet, inkluderas ej i leveransen
5. Batteri, inkluderas ej i leveransen
6. Fästskruv





2.2 Delar som levereras

Kontrollera att utrustningen är komplett enligt specifikationerna i leveransomfattningen. Om delar saknas, kontakta din återförsäljare.

- Öppna förpackningen och ta försiktigt bort enheten.
- Ta bort förpackningsmaterialet och eventuella förpacknings- och/eller transportfästen (om sådana finns).
- Kontrollera att alla delar har levererats.
- Kontrollera att apparaten och tillbehören inte har transportskador.
- Behåll om möjligt förpackningen till slutet av garantiperioden.

Fara!

Utrustning och förpackningsmaterial är inte leksaker. Låt inte barn leka med plastpåsar, filmer eller smådelar. Det finns risk för förtäring eller kvävning!

- Motorenhet
- Blåsrör
- Fästskruv
- Batteri (ingår ej)
- Batteriladdare (ingår ej)
- Bruksanvisning

3. Korrekt användning

Den batteridrivna lövblåsen är konstruerad för att endast hantera löv och trädgårdsavfall som gräs och små grenar. All annan användning är förbjuden.

Maskinen får endast användas för avsett ändamål. All annan användning betraktas som felaktig användning. Användaren är ansvarig för eventuella olyckor eller personskador som uppstår till följd av sådan felaktig användning.

Observera att apparaten inte är avsedd för kommersiell eller industriell användning. Garantin upphör att gälla om utrustningen används i kommersiella eller industriella företag eller för liknande ändamål.

4. Teknisk information

Tomgångshastighet13 000 min⁻¹
 Luftflödes hastighet210 km/h
 Maximal drifttid ca 14 min.
 Säkerhetsklass:III

Vikt:1,6 kg

Varning!

Enheten levereras utan batterier och laddare och bör endast användas med de rekommenderade Li-ion-batterierna.

Använd endast den rekommenderade laddaren för laddning.

Fara!

Buller och vibrationer

Buller- och vibrationsvärden har mätts enligt ISO 22868.

Ljudtrycksnivå L_{pA} 73 dB(A)

Osäkerhet K_{pA} 3 dB

Uppmätt ljudeffektnivå L_{WA} 90 dB(A)

Osäkerhet K_{WA} 3 dB

Garanterad ljudeffektnivå L_{WA} 93 dB(A)

Använd hörselskydd.

Buller kan skada din hörsel.

Totala vibrationsvärdet (triaxial vektorsumma) har bestämts enligt ISO 22867.

Vibration vid handtaget

Utsläppsvärde för vibration $a_h = 4,0 \text{ m/s}^2$.

Osäkerhet $K = 2,0 \text{ m/s}^2$.

Vibrationsvärdet har bestämts enligt en standardiserad testmetod. Det kan variera beroende på hur utrustningen används och kan i undantagsfall överstiga det angivna värdet.

Det deklarerade vibrationsvärdet kan användas för jämförelse mellan apparater sinsemellan.

Det deklarerade vibrationsvärdet kan användas för en preliminär bedömning av den negativa effekten.

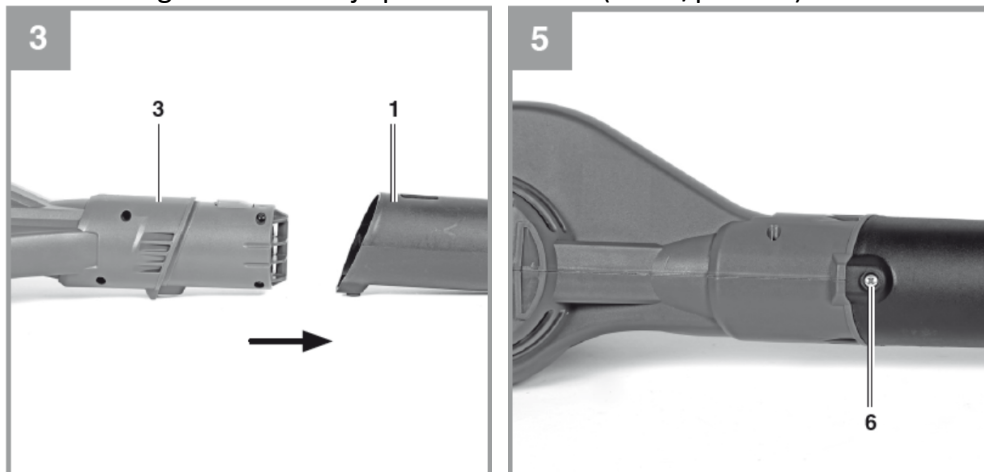
Minimera buller och vibrationer.

- Använd endast utrustning som är i fullgott skick.
- Underhåll och rengör utrustningen regelbundet.
- Anpassa ditt arbetssätt till utrustningen.
- Överbelasta inte utrustningen.
- Utför service på utrustningen vid behov.
- Stäng av maskinen när den inte används.
- Använd skyddshandskar.

5. Före start

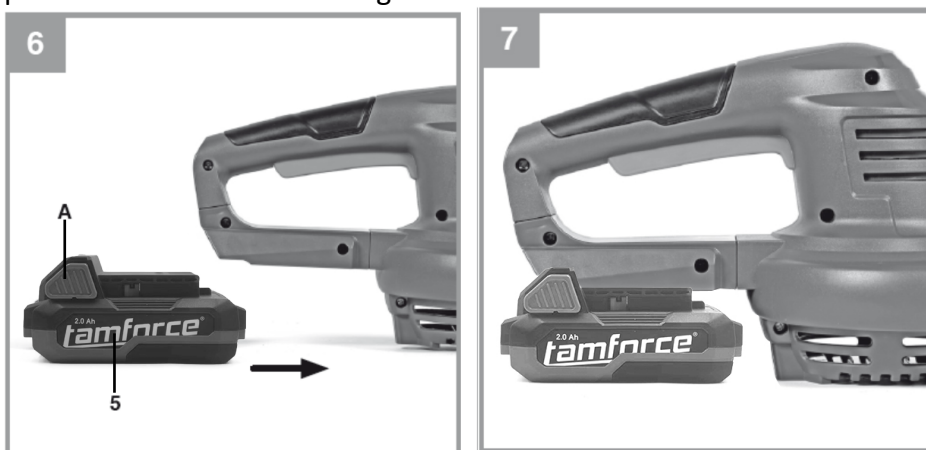
5.1 Installation av blåsröret (bild 3-5)

Anslut motorenheten (bild 3/punkt 3) och blåsröret (bild 3/punkt 1). Skruva sedan ihop de två delarna enligt bild 5 med hjälp av fästskruven (bild 5/punkt 6).



5.2 Installation av batteri (bild 6/7)

Tryck på batteriets låsknapp som i figur 6 och skjut in batteriet i hållaren. När batteriet är installerat enligt bild 7, se till att låsknappen låses på plats! För att ta ut batteriet, upprepa proceduren i omvänd ordning.



6. Användning

- Tryck och håll in on/off-brytaren (2) för att slå på apparaten.
- Släpp on/off-brytaren för att stänga av apparaten.
- Rikta luftflödet framåt och gå långsamt för att blåsa löv eller trädgårdsavfall till en hög eller för att rengöra svåråtkomliga områden.

7. Rengöring och service

Fara!

Stäng av apparaten och koppla ur batteriet före förvaring och rengöring.

7.1 Rengöring

- Håll alla säkerhetsanordningar, ventilationsöppningar och motorhuset så rena som möjligt. Torka av enheten med en ren trasa eller blås med lågtryckstryckluft.
- Vi rekommenderar att du rengör apparaten omedelbart när du slutar använda den.

- Rengör apparaten regelbundet med en fuktig trasa och ett mildt rengöringsmedel. Använd inte starka rengöringsmedel eller lösningsmedel, de kan skada apparatens plastdelar.
- Se till att inget vatten tränger in i maskinen. Vatten som tränger in i elverktyget ökar risken för elektriska stötar.

7.2 Underhåll

- Om andra problem än de som nämns ovan uppstår, låt endast en auktoriserad tekniker eller serviceverkstad inspektera verktyget.
- Det finns inga andra delar som kräver underhåll inuti verktyget.

8. Fel

Enheten fungerar inte:

Kontrollera att batteriet är laddat och att laddningsenheten fungerar. Om apparaten inte fungerar trots att strömförsörjningen är OK, ta den till ett servicecenter.

9. Lagring

Förvara apparaten och tillbehören utom räckhåll för barn på en mörk, torr plats där temperaturen inte sjunker under 0 °C. Den ideala förvaringstemperaturen är mellan 5 °C och 30 °C.

Förvara elverktyget i originalförpackningen.

10. Kassering och återvinning

Enheten levereras i sin förpackning för att förhindra skador under transporten. Råvarorna i förpackningen kan återanvändas och återvinnas. Apparaten och dess tillbehör är tillverkade av olika typer av material, t.ex. metall och plast. Släng aldrig defekt utrustning i hushållssoporna. Utrustningen ska lämnas till en lämplig återvinningscentral för korrekt avfallshantering. Om du inte vet var en sådan uppsamlingsplats finns, fråga de lokala myndigheterna.



Apparat, batterier, tillbehör och förpackning måste sorteras för miljövänlig återvinning.

Släng inte elverktyg och batterier bland hushållsavfall!



Enligt direktiv 2012/19/EU ska elektriska verktyg som inte längre är lämpliga för användning, och enligt direktiv 2006/66/EU ska defekta eller förbrukade batterier samlas in separat och bortskaftas på ett miljövänligt sätt.

ANVISNINGAR OCH INFORMATION OM BORTSKAFFANDE AV ANVÄNT FÖRPACKNINGSMATERIAL

Återvinn allt förpackningsmaterial i enlighet med lokala bestämmelser.

BORTSKAFFANDE AV BEGAGNAD ELEKTRISK OCH ELEKTRONISK UTRUSTNING

Denna symbol på produkter eller i medföljande dokumentation betyder att använda elektriska och elektroniska produkter inte får slängas med vanligt kommunalt avfall. Lämna in sådana produkter till särskilda insamlingsplatser för korrekt avfallshandling, renovering och återvinning. Alternativt kan du i vissa EU-länder eller andra europeiska länder returnera din produkt till din lokala återförsäljare när du köper en liknande ny produkt. Genom att kassera denna produkt på ett ansvarsfullt sätt sparar du värdefulla naturresurser och hjälper till att förhindra potentiella negativa effekter på miljön och människors hälsa som kan uppstå till följd av felaktig avfallshandling. För ytterligare information, kontakta de lokala myndigheterna. Felaktig avfallshandling av denna typ av avfall kan leda till påföljder i enlighet med nationella bestämmelser.



Denna produkt uppfyller alla grundläggande krav i de relevanta EU-direktiven.

Text, design och specifikationer kan ändras utan föregående meddelande, vi förbehåller oss rätten till ändringar.

Tillverkad för:

Tamforce Group, Pakkalankuja 6, 01510 Vantaa Finland (asiakaspalvelu@puuilo.fi)



tamforce®